

PAR56 + Fixture

Code : P1001

PC cover with big lens



◆ SMD2835

■ SMD5050



Ultrasonic Melting



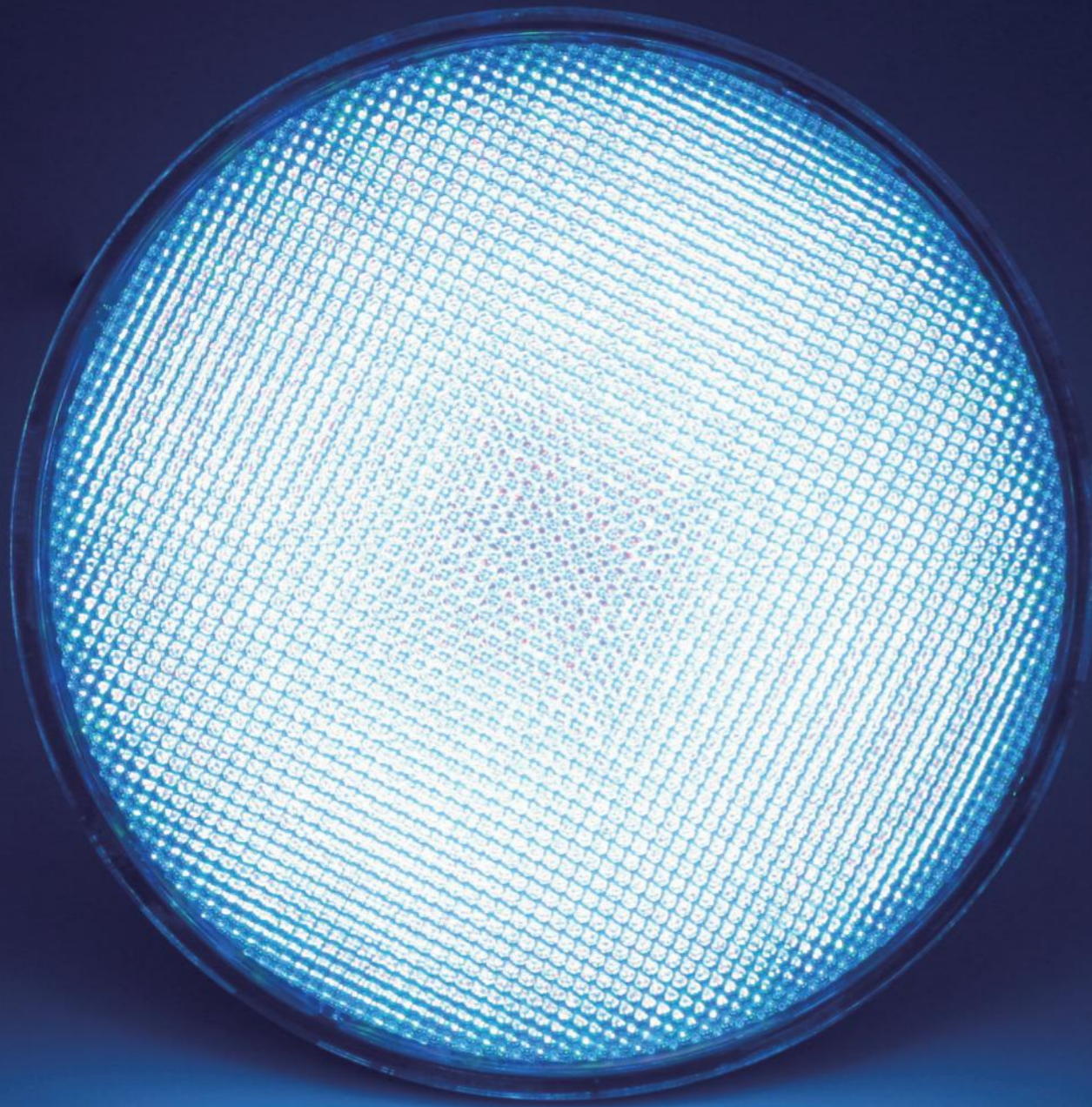
ABS + PC body



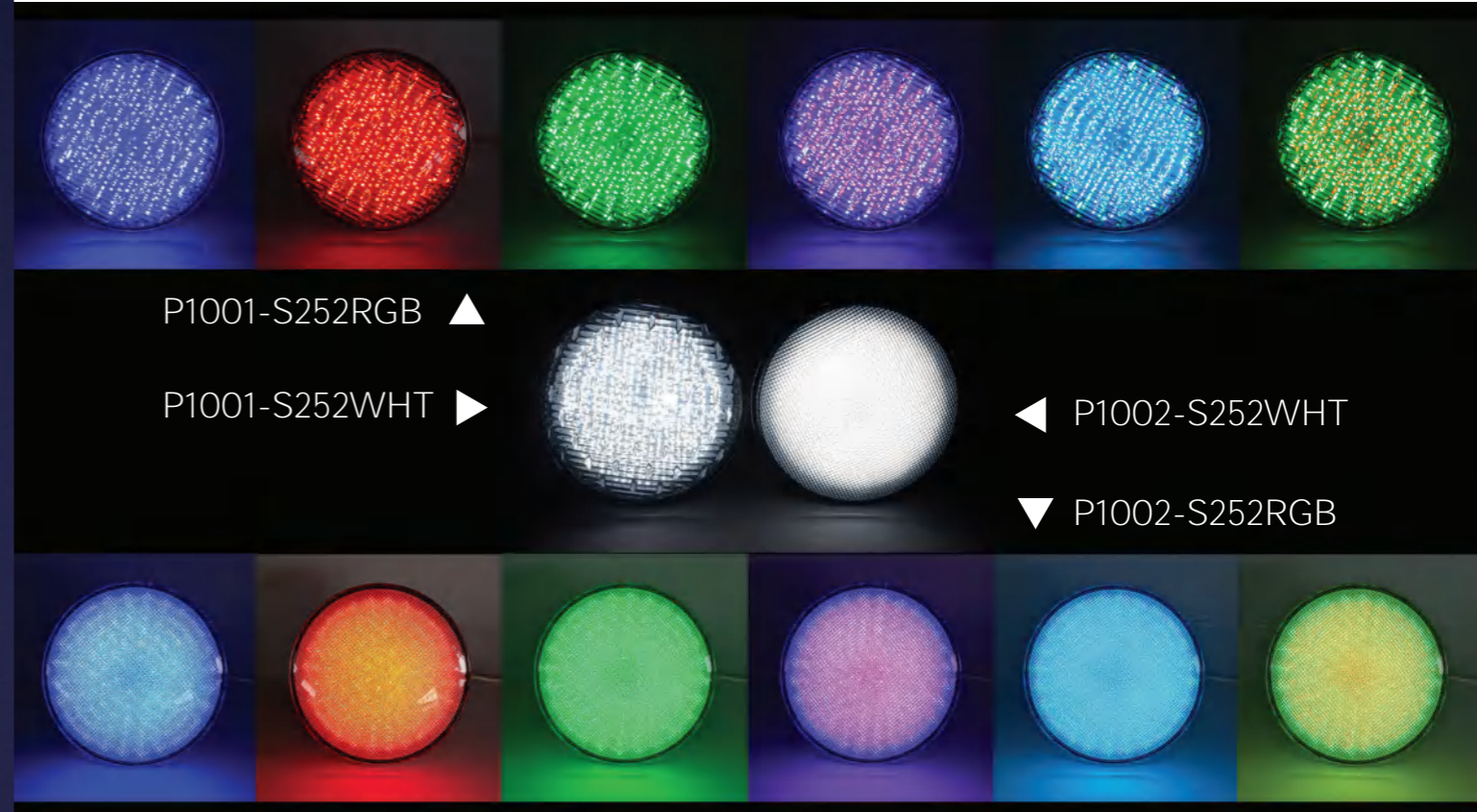
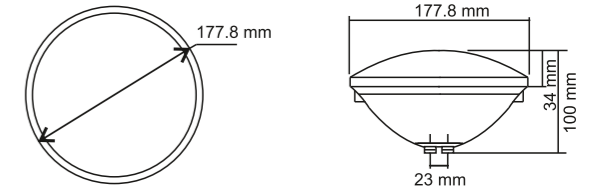
Epoxy Resin Sealing

Code : P1002

PC cover with small lens



P1001 and P1002 Contrast
RGB & Cool white



P1001-S252RGB ▲

P1001-S252WHT ▶

◀ P1002-S252WHT

▼ P1002-S252RGB

Specification

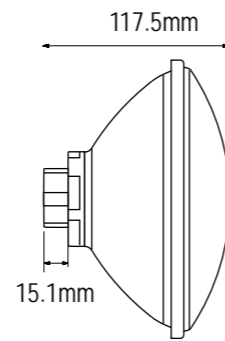
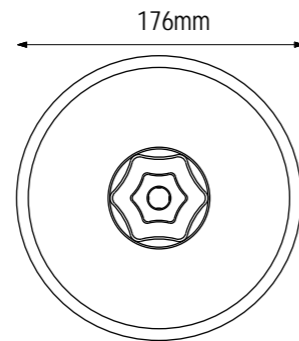
Code	Vol.	Power	Color	Lumens	LED Type	Control
P1001(2)-S180WHT	AC12V	12W	6400K	1320lm	180pcs SMD2835	--
P1001(2)-S252WHT	AC12V	18W	6400K	1980lm	252pcs SMD2835	--
P1001(2)-S351WHT	AC12V	25W	6400K	2750lm	351pcs SMD2835	--
P1001(2)-S150WHT	AC12V	35W	6400K	3850lm	150pcs SMD5050	--
P1001(2)-S180WW	AC12V	12W	3000K	1200lm	180pcs SMD2835	--
P1001(2)-S252WW	AC12V	18W	3000K	1800lm	252pcs SMD2835	--
P1001(2)-S351WW	AC12V	25W	3000K	2500lm	351pcs SMD2835	--
P1001(2)-S150WW	AC12V	35W	3000K	3500lm	150pcs SMD5050	--
P1001(2)-S180RGB(R15)	AC12V	12W	RGB	660lm	180pcs SMD2835	ON/OFF & Remote
P1001(2)-S252RGB(R15)	AC12V	18W	RGB	990lm	252pcs SMD2835	ON/OFF & Remote
P1001(2)-S351RGB(R15)	AC12V	25W	RGB	1350lm	351pcs SMD2835	ON/OFF & Remote
P1001(2)-S150RGB(R15)	AC12V	35W	RGB	1750lm	150pcs SMD5050	ON/OFF & Remote

Code : P1005 New PAR56



12W / 18W / 25W / 35W

Single Color : WW / WHT / R / G / B
Multicolor : RGB / WGB , ON/OFF & Remote



NO NEEDING
ABS holder / O-ring / Screws
SAVING BIG COST



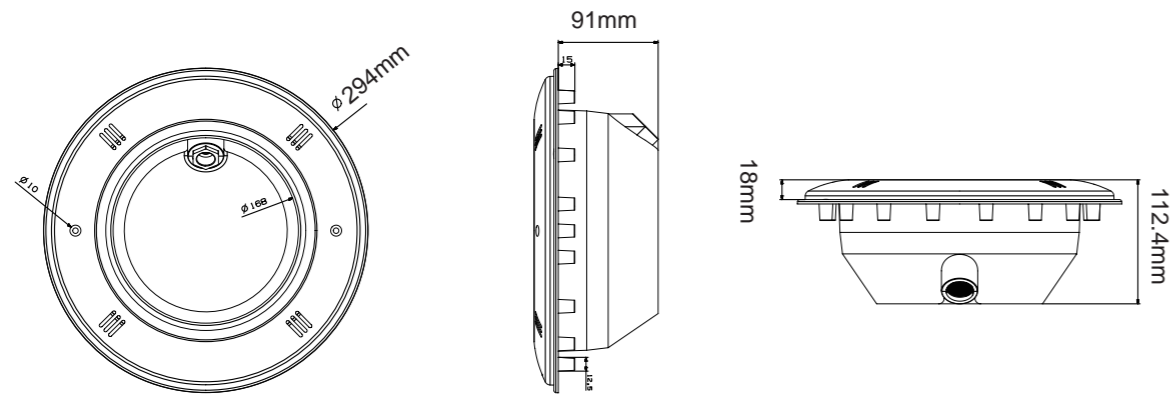
Installation



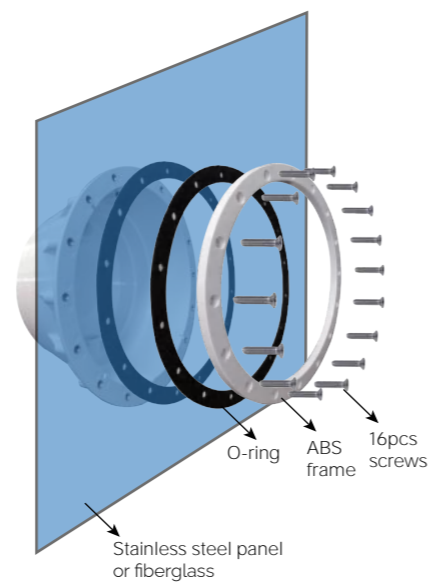
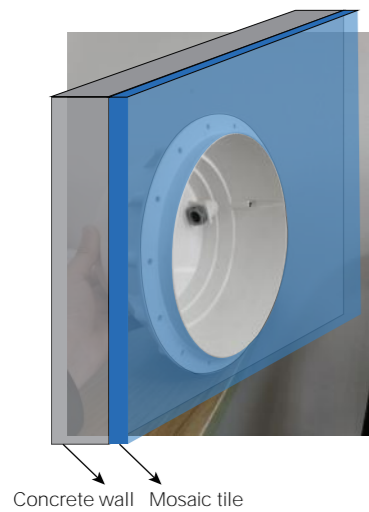
Specification

Code	Vol.	Power	Color	Lumens	LED Type	Control
P1005-S180WHT	AC12V	12W	6400K	1320lm	180pcs SMD2835	--
P1005-S252WHT	AC12V	18W	6400K	1980lm	252pcs SMD2835	--
P1005-S351WHT	AC12V	25W	6400K	2750lm	351pcs SMD2835	--
P1005-S150WHT	AC12V	35W	6400K	3850lm	150pcs SMD5050	--
P1005-S180WW	AC12V	12W	3000K	1200lm	180pcs SMD2835	--
P1005-S252WW	AC12V	18W	3000K	1800lm	252pcs SMD2835	--
P1005-S351WW	AC12V	25W	3000K	2500lm	351pcs SMD2835	--
P1005-S150WW	AC12V	35W	3000K	3500lm	150pcs SMD5050	--
P1005-S180RGB(R15)	AC12V	12W	RGB	660lm	180pcs SMD2835	ON/OFF & Remote
P1005-S252RGB(R15)	AC12V	18W	RGB	990lm	252pcs SMD2835	ON/OFF & Remote
P1005-S351RGB(R15)	AC12V	25W	RGB	1350lm	351pcs SMD2835	ON/OFF & Remote
P1005-S150RGB(R15)	AC12V	35W	RGB	1750lm	150pcs SMD5050	ON/OFF & Remote

Code : PF1003



Preset Niche suits for concrete pool / liner pool



Installation



Epoxy resin Panel + PF1003 niche



New PAR56 P1005 + PF1003 niche

Code : PF1001C, PF2001C

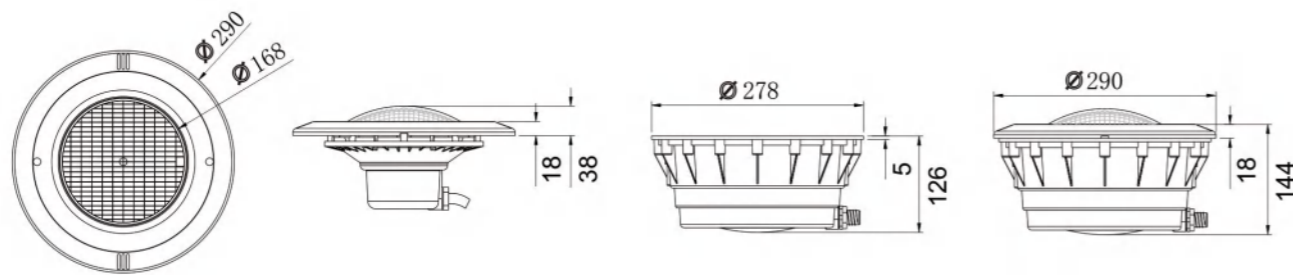
ABS & Stainless Steel - For concrete pool



PF1001C



PF2001C



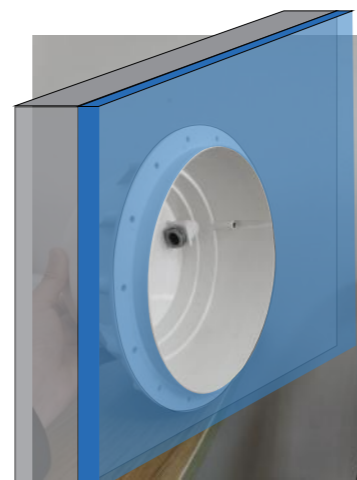
Concrete Pool Installation



The first step is flush with the concrete wall.
The second step is flush with the mosaic tile.



Concrete wall



Concrete wall Mosaic tile

Code : PF1001V, PF2001V

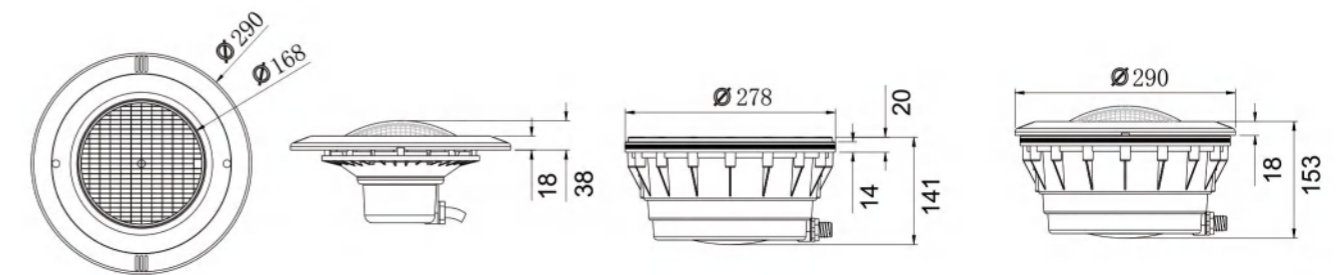
ABS & Stainless Steel - For Liner pool



PF1001V



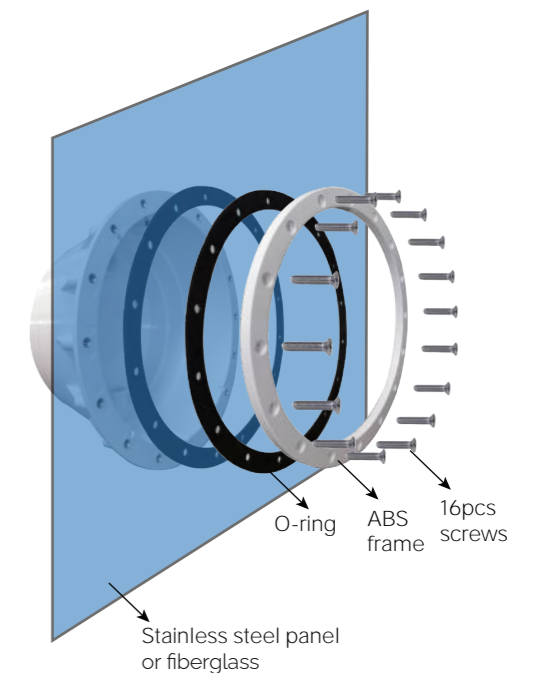
PF2001V



Liner Pool Installation



O-ring



Stainless steel panel or fiberglass